



**WECHAT**



**WEB**

# Welcome to HEARKEN

## Actuators and Controls

**Hearken  
Here We  
Can**

### The Trusted, Passionate and focused Partner in Valve Automation

At HEARKEN FLOW, The founding principle of Hearkenflow is simple: to Listen our customers needs first, to develop the innovative valve actuators solutions , to meet the unique needs of our customers, Along the way, To help our customers to solve the problems in Valve Automation. We are growing our brand in Pneumatic and Electric Actuators, Accessories..



Experienced team



Large inventory



Convenient consultation



### WHY WE ARE DIFFERENT

We offer a complete valve automation solution by the applications experience and customization capabilities, with an experienced support team to guide you in selection, installation, and project support. In addition we maintain an extensive supply of product inventory on hand so that we can quickly fulfill orders and reduce wait times. Our sales and support staff are readily available and accessible so that customers get the answers they need quickly.

### THE TARGET WE ARE PURSUING



High-quality



low cost



Reliable solution

- To built A strong Reputation in Providing Quality, Cost Effective , Reliable And Robust Performance Solutions for Valve Automation,
- Included Pneumatic Actuators, Electrically Actuators, Actuated Valves.



### COMMITMENT TO QUALITY

At HEARKEN FLOW means performance, All products manufactured by HEARKEN FLOW are warranted against defects in material and workmanship for a period of 18 months from the day of startup. Each of our products are tested at the factory. we are confident that our products meet or exceed all applicable standards before they ever leave our facility. We are an ISO 9001-2008 certified company. Our Valve Actuators Has Applied for SIL3 Certificate, ATEX Certificate ,CE, Explosion-proof Certificate, IP68 Weather proof etc....

# HEA Series Electric Actuator

## Quarter-Turn Design

### Description



HEA Series Quarter-Turn Electric Actuator is used for controlling 0~270 degree Rotation valves and other similar products, such as butterfly valve, ball valve, damper, flapper valve, cock valve etc... It widely applies to petroleum, chemical, water treatment, shipping, paper, making, power plant and other industries.

Driven by 380V/220V/110VAC OR 24V/110VDC Power, Inputs 4~20mA OR 0~10 VDC control signal, Moves valve to the right position, and achieve to automatic control. The Maximum output torque is 2000 N.m



### Main Product features



Designed for small quarter-turn applications.

Protection class to IP67, NEMA4 and 6

The Actuator can automate the valves requiring up to 270 degree rotation. To help protect the components and extend the actuator's life, an anti-condensation A thermal protector is provided to protect the motor from over heating.

### Testing For All Actuators

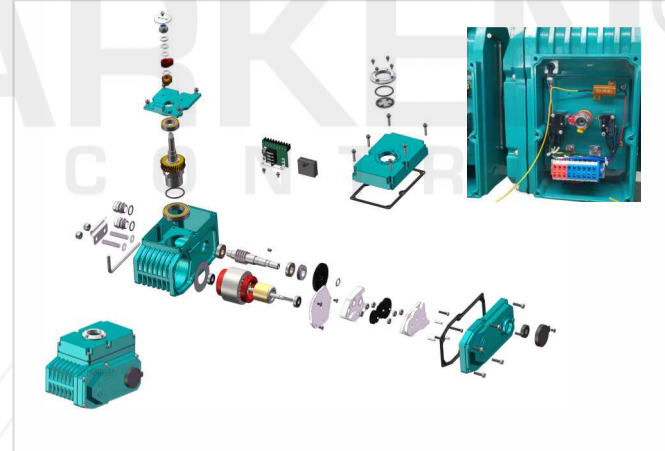


All actuators manufactured by HEARKEN are individually tested, Testing is carried out to check the leakage in both internal and external, The angle of rotation and Torque values. All bodies are stamped with year, month of production, size and serial number.

### Performance features



Function	On/Off or Modulating
<b>Material</b>	
Housing	Aluminum alloy, epoxy powder coated
Gear	Steel / aluminum bronze
Screws	Stainless steel
Indicator Cover	Polycarbonate
Shaft / Adaptor	Alloy steel
Seal	NBR
Lubrication	Aluminum based grease
<b>Technical Data</b>	
Power Supply	24VDC, 110VAC, 220VAC
Motor	Squirrel cage asynchronous motor
Limit Switch	SPDT, 250VAC10A, each for Open and Close positions
Rotation	90° (± 10°) other rotation on request
Manual Operation	Mechanical handle standard
Conduit Entry	2 x M18
Operating Temp	-20°C to +70°C
Ambient Humidity	Max. 90% RH
Vibration Tested	XYZ10g, 0.2~34Hz, 30 minutes
Mounting	ISO5211
Torque Output	30 Nm to 1000 Nm (2000 Nm on request)
Self-locking device	Self-locking by worm and worm gear



### Options Available



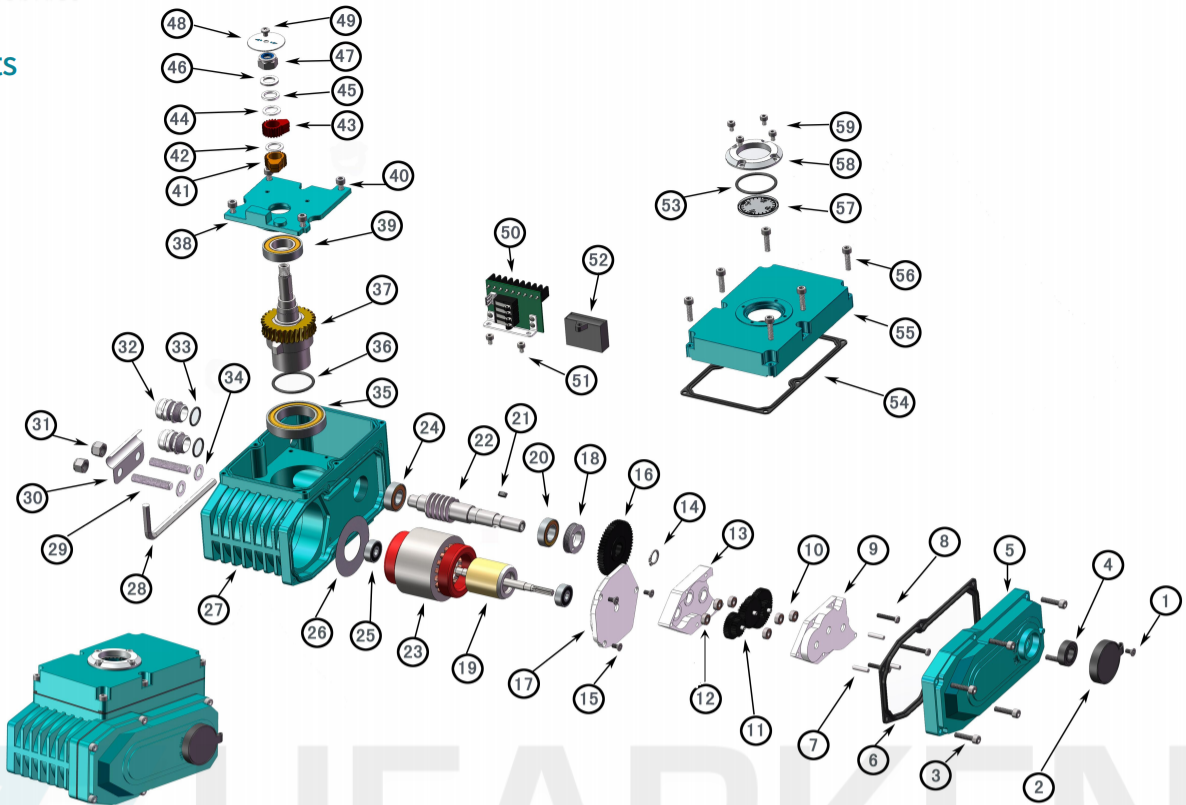
- Space Heater, 5W 10K (110/220VAC/24VDC)\*
- Stall Protection, internal overheating protection, open @ 120°C / close @ 97°C (± 5°C)\*
- Position Feedback Potentiometer (1K ... 10K)\*
- Position Feedback Sensor with Current output (4 ... 20mA)\*
- Proportional Control Unit for modulating control (input/output signal, 4 ... 20mA, 1 ... 5 VDC, 1 ... 10VDC)\*
- Field control unit (Local control open/stop/close switch, Local/remote control switch)\*
- Power Failure Self Reset

### Standard & Technical datas

Indicator	Dome Type( Option: LED Light Inside)
Ambient Temp	-20°C~+70°C
Limit Switches	2 open/close+dry contact 2 open/close
Manual Operation	Hex key (Option: Handwheel)
Lubrication	Aluminum base grease(EP type)
Surface Treatment	Anodizing

Enclosure	Waterproof Level IP67, NEMA4 and 6
Power Supply	AC110/220V 1PH±10% 50/60HZ. DC24V
Travel Angle	90°±5°(Extension up to 270°)
Self Locking	Provide self locking by worm gear
Conduit entries	2PF 1/2"(Option:M20x1.5,NPT1/2")
External Coating	Dry powder, epoxy polyester

**Parts**



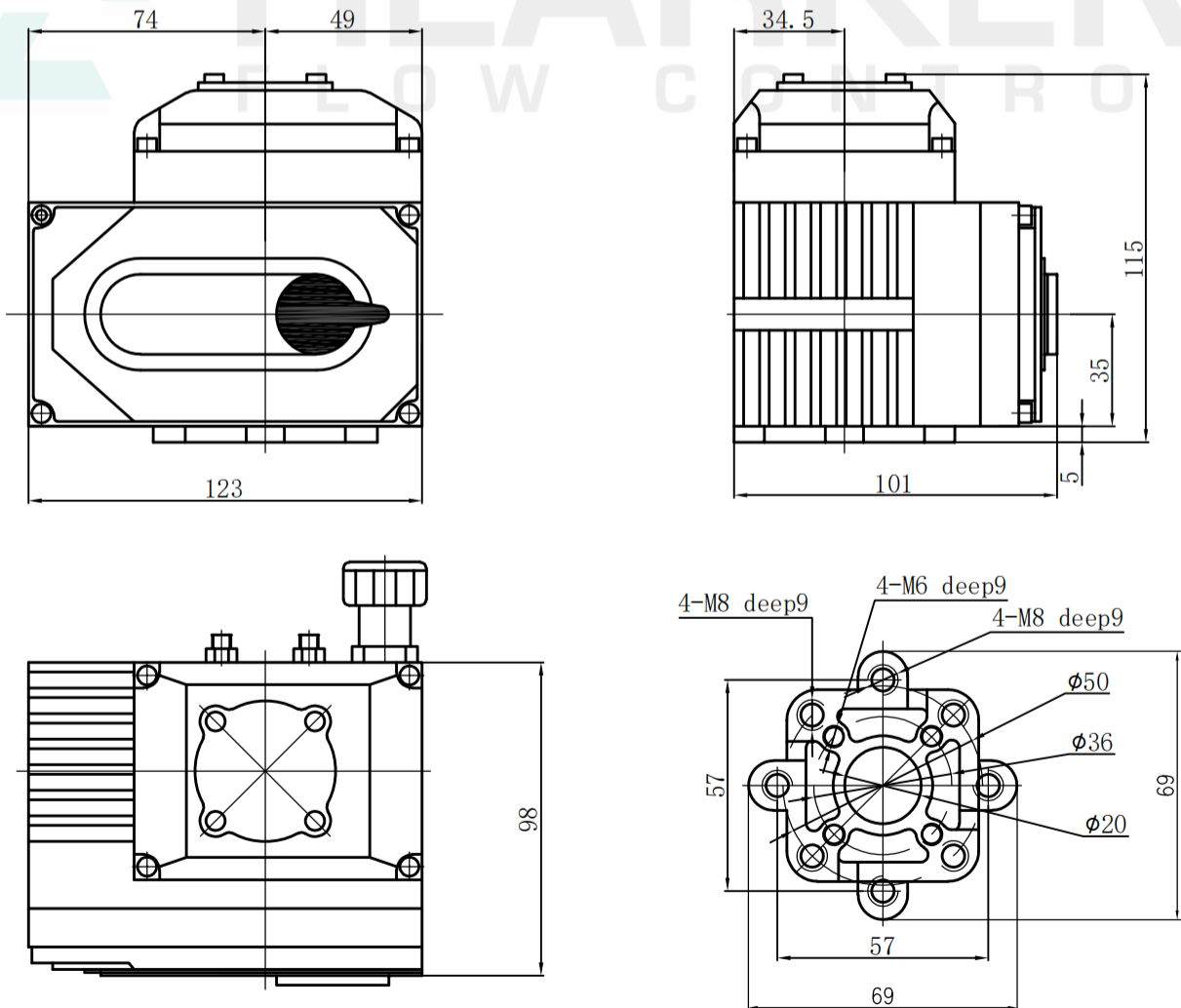
NO.	Qty	Part name
1	1	Cross bolt(component)
2	1	Dustproof end plug
3	6	Anti-break off hex type socket screw
4	1	Oil seal
5	1	Electric fitting:front cap
6	1	O-ring
7	3	Cross bolt(component)
8	3	Cross bolt(component)
9	1	Electric fitting:speed-down case body
10	3	Bearing
11	3	Electric fitting,reduction gear component
12	3	Bearing
13	1	Electric fitting:speed-down case 1
14	1	Axis shield ring
15	3	Cross bolt(component)
16	1	Gear on womm
17	1	Insulating division board
18	1	Locknut
19	1	Electromotor rotor
20	1	Bearing
21	1	Flat key
22	1	Worm screw
23	1	Electromotor stator
24	1	Bearing
25	1	Bearing
26	1	Insulating division board
27	1	Electric fting:case body
28	1	Allen wrench
29	2	Limit bolt
30	1	handle holder

NO.	Qty	Part name
31	2	Hexagonal nut
32	2	Waterproof cable joint
33	2	O-ring
34	2	gasket
35	1	Bearing
36	1	Oil seal
37	1	Worm wheel
38	1	Electric fitting:inner cap
39	1	Bearing
40	4	Cross bolt(component)
41	1	Stroke dog
42	1	gasket
43	1	Stroke dog
44	1	gasket
45	1	gasket
46	1	gasket
47	1	Cross bolt(component)
48	1	Dial
49	1	Cross bolt
50	1	Connecting terminal
51	2	Cross bolt
52	1	Electric capacitor
53	1	Viewing glass
54	1	O-ring
55	1	Electric fitting:top cap
56	4	Anti-break off hex type socket screw
57	1	O-ring
58	1	Indication window hood
59	4	Intenal hexangular fillister head screw

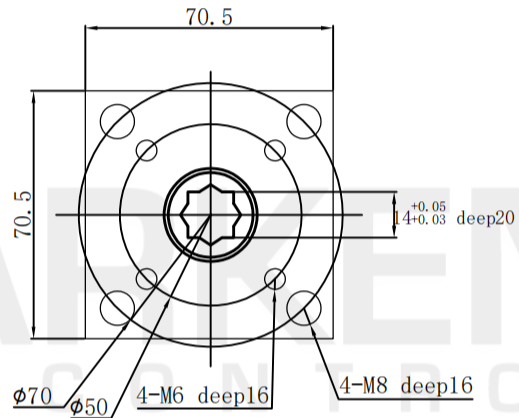
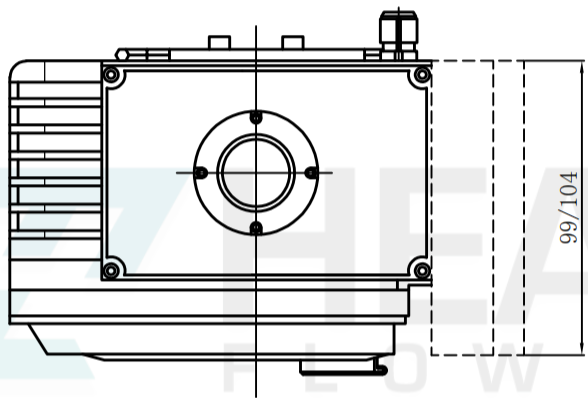
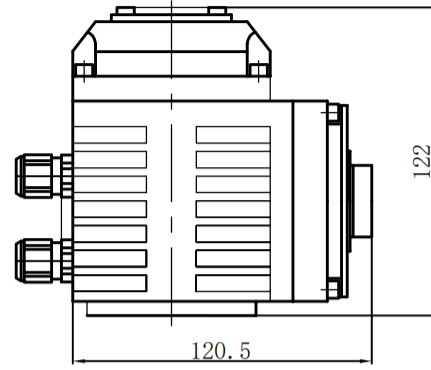
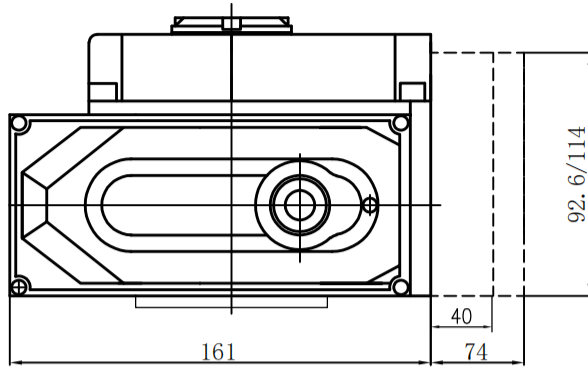
## Technical Parameter and Specifications (On/Off or Modulating Version)

Model	Max Output Torque (N.M)	Operating Time 90°(Sec.) 220VAC/ 24VDC	Drive Shaft(mm)				Motor (W) 220V/ 24VDC	Single-phase rated current(A) 220VAC / 24VDC	Weight (kg)	Flange Size
			Square	Deep	Round	Deep				
HEA003	30N.m	10/10	9X9 11X11	13.5 15.5	Ø12.6	26	6	0.24/1	2.1	F03/F05
HEA005	50N.m	30/13	11X11 14X14	15.5 18	Ø12.6	26	10	0.24/3	3.6	F05/F07
HEA008	80N.m	30/13	11X11 14X14	15.5 18	Ø15.78	26	12	0.25/3.5	3.6	F05/F07
HEA010	100N.m	30/13	14X14 17X17	18 22.5	Ø15.78 Ø18.95	28	20	0.32/4	4.6	F05/F07
HEA015	150N.m	30/13	14X14 17X17	18 22.5	Ø18.95	28	25	0.35/5	4.6	F05/F07
HEA020	200N.m	30/13	22X22	26	Ø22.13	45	40	0.5/6	8.9	F07/F10
HEA020	200N.m	30/13	27X27	32.5	Ø31.65	45	40	0.5/6	14.3	F10/F12
HEA040	400N.m	30/13	22X22	26	Ø22.13	45	45	0.55/9	8.9	F07/F10
HEA040	400N.m	30/13	27X27	32.5	Ø31.65	45	45	0.55/9	14.3	F10/F12
HEA060	600N.m	30/13	22X22	26	Ø22.13	45	90	0.9/9	9.3	F07/F10
HEA060	600N.m	30/13	27X27	32.5	Ø31.65	45	90	0.9/9	14.3	F10/F12
HEA080	800N.m	45/20	27X27	32.5	Ø31.65	45	120	1.5/13	14.3	F10/F12
HEA100	1000N.m	45/20	27X27	32.5	Ø31.65	45	120	1.5/13	14.5	F10/F12
HEA200	2000N.m	60/23	27X27	32.5	Ø31.65	45	180	1.8/15	14.5	F10/F12

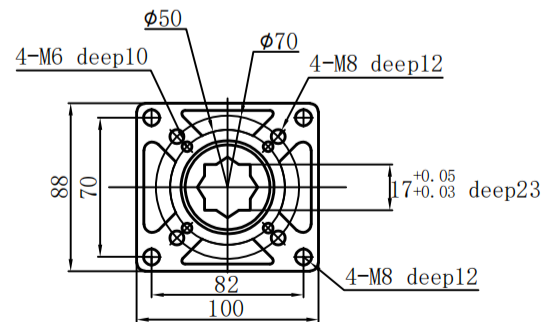
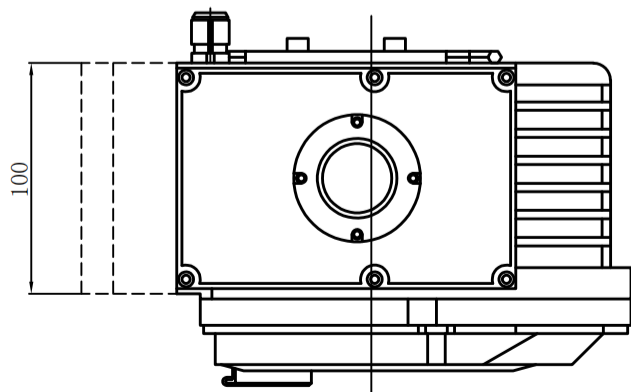
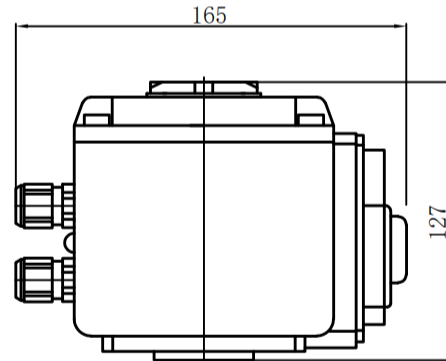
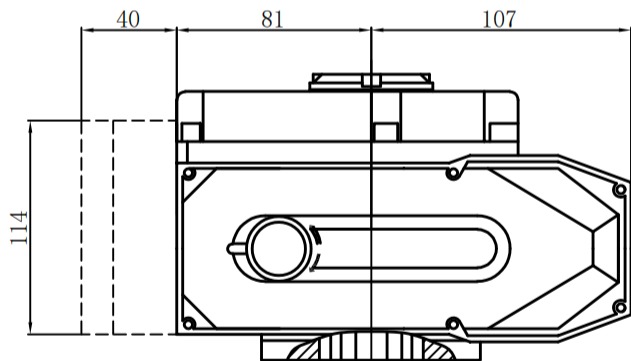
### HEA003 Dimension in mm



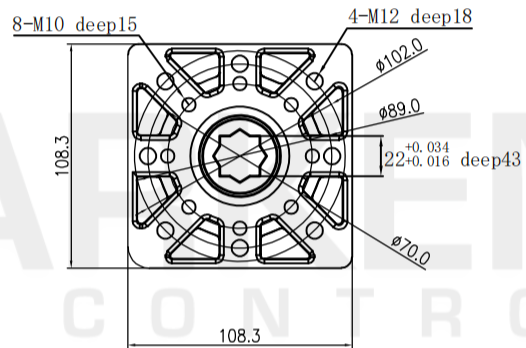
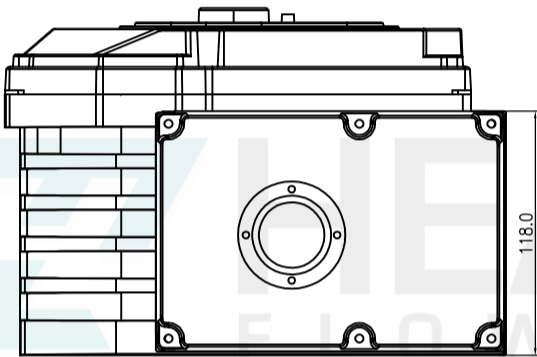
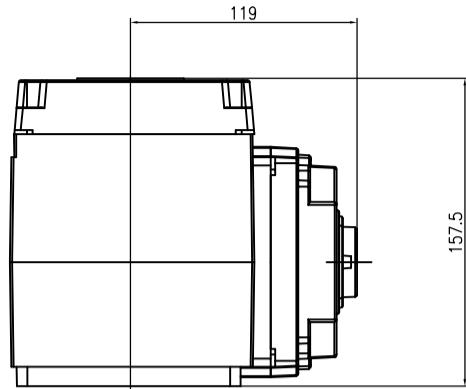
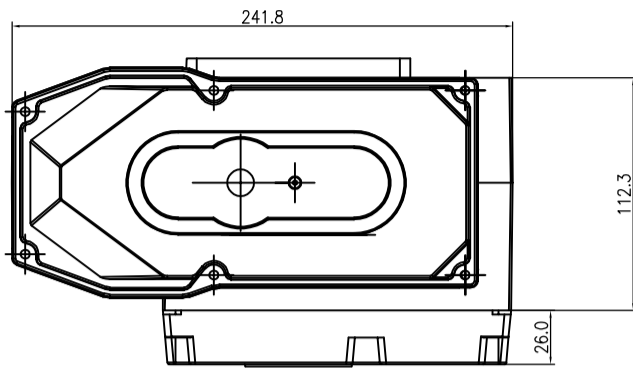
**HEA005/HEA008 Dimension in mm**



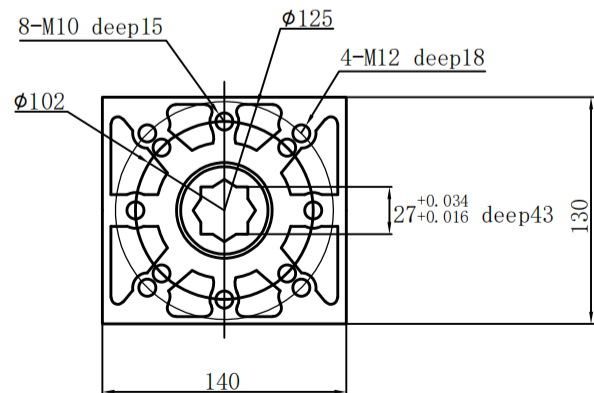
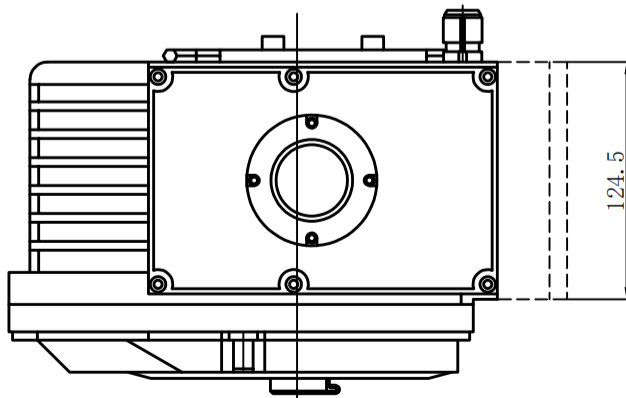
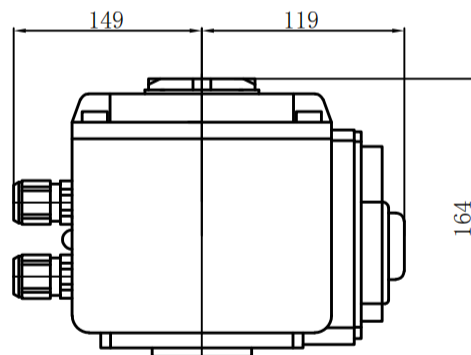
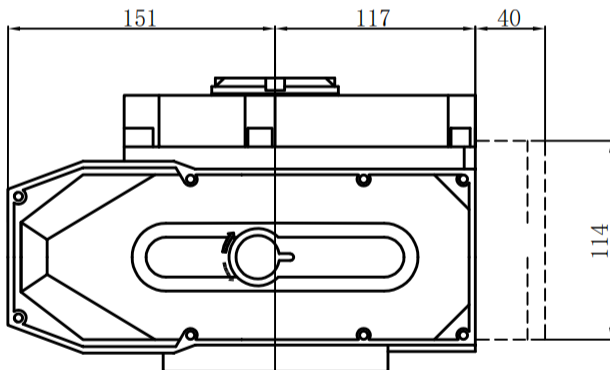
**HEA010/HEA015 Dimension in mm**



**HEA020/HEA040/HEA060 Dimension in mm**



**HEA080/HEA100/HEA200 Dimension in mm**





WEB



WECHAT

We learn to speak in three years,  
But it takes a lifetime to learn to “ HARKEN ”



Manufactures a wide range of Pneumatic actuators,electric actuators and accessories of  
Limit switchbox, Solenoid valve, Manual override, E/P positioner for quarter Multi-turn valves...

✉ info@hearkenflow.com

📱 (086) 150 5899 3098 (Whatsapp/Wechat)

☎ (086) 577 88875391

📠 (086) 577 88875392

🌐 Website:

www.hearkenflow.com

www.hearkenvalve.com

📍 Factory Add:

No.6 Qinyuan Road, Zhuao Village, Yongjia  
County, Wenzhou City, Zhejiang Province,China