

Welcome to HEARKEN




Actuators and Controls

**Hearken
Here We
Can**

The Trusted, Passionate and focused Partner in Valve Automation

At HEARKEN FLOW, The founding principle of Hearkenflow is simple: to Listen our customers needs first, to develop the innovative valve actuators solutions , to meet the unique needs of our customers, Along the way, To help our customers to solve the problems in Valve Automation. We are growing our brand in Pneumatic and Electric Actuators, Accessories..



-  Experienced team
-  Large inventory
-  Convenient consultation

WHY WE ARE DIFFERENT

We offer a complete valve automation solution by the applications experience and customization capabilities, with an experienced support team to guide you in selection, installation, and project support. In addition we maintain an extensive supply of product inventory on hand so that we can quickly fulfill orders and reduce wait times. Our sales and support staff are readily available and accessible so that customers get the answers they need quickly.

THE TARGET WE ARE PURSUING



- To built A strong Reputation in Providing Quality, Cost Effective , Reliable And Robust Performance Solutions for Valve Automation,
- Included Pneumatic Actuators, Electrically Actuators, Actuated Valves.



COMMITMENT TO QUALITY

At HEARKEN FLOW means performance, All products manufactured by HEARKEN FLOW are warranted against defects in material and workmanship for a period of 18 months from the day of startup. Each of our products are tested at the factory. we are confident that our products meet or exceed all applicable standards before they ever leave our facility. We are an ISO 9001-2008 certified company. Our Valve Actuators Has Applied for SIL3 Certificate, ATEX Certificate ,CE, Explosion-proof Certificate, IP68 Weather proof etc....

Pneumatic operated 3 Piece Ball Valve

3-piece Stainless Steel ,Full Port

BSPT, NPT, Socket & Butt Weld Connection



Approvals ATEX, CE, SIL

All valve and actuator packages are tested and issued with certification confirming the actuators functionality before despatch.

Description



Pneumatic Actuated 3 Piece Stainless Steel Ball Valve are used for on-off control of air, water, oil, and other media. Actuation is either Single or Double acting with a range of configurable options including limit switches, solenoid valves and pneumatic positioners. 3 piece ball valves come with two end caps that are threaded to make the connection to your pipes easier. Pneumatic actuated ball valves are designed to be the perfect when controlling the flow.

Main Product Features



Ball Valve Size: 1/4"~4" (DN8~DN100)
 Pressure Range: 0~1000 Psi
 Medium Temperature: -20 ° C ~ + 180 ° C
 Ambient Temperature: -20 ° C ~ + 60 ° C
 Body Material: Sus 304/316 Stainless Steel
 Sealing Material: PTFE
 Pneumatic Actuator Housing: Aluminum Alloy
 Control Pressure: 3~8bar
 Control Function: Single Action / Double Action
 Suitable Media: Air, Gas, Liquid, Water and Steam

Inch.	DN
1/4"	8
3/8"	10
1/2"	15
3/4"	20
1"	25
1 1/4"	32
1 1/2"	40
2"	50
2 1/2"	65
3"	80
4"	100

Performance Features



HPA Pneumatic Actuators

(SR) Single acting Spring return (DA) Double acting

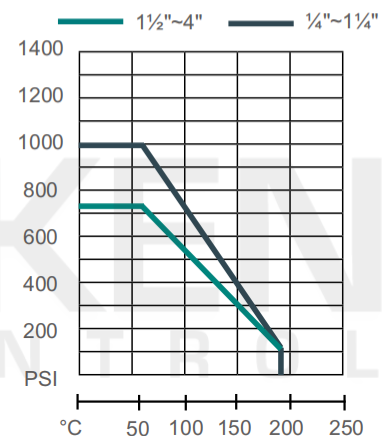
Actuator Size	DA32 ~ DA400 / SR52 ~ SR400
Air Pressure	2.5 to 8 bar (Based on 5.5 bar air supply as standard)
Ambient Temp	-15 to 80°C (Low and high temp versions also available)
Cycle Life	500,000 Operations 1,000,000 Operations available
Indicator	Multifunctional position indicator for visual inspection
Travel Stops	External adjustable ± 5% in both open & closed position
Body	Hard anodised extruded aluminum alloy
Springs	High tensile steel
Piston Seals	NBR Steel
Piston	Aluminium alloy
End Caps	Die cast aluminum epoxy coated
Pinion shaft	Alloy steel nickle plated

Actuator Accessories

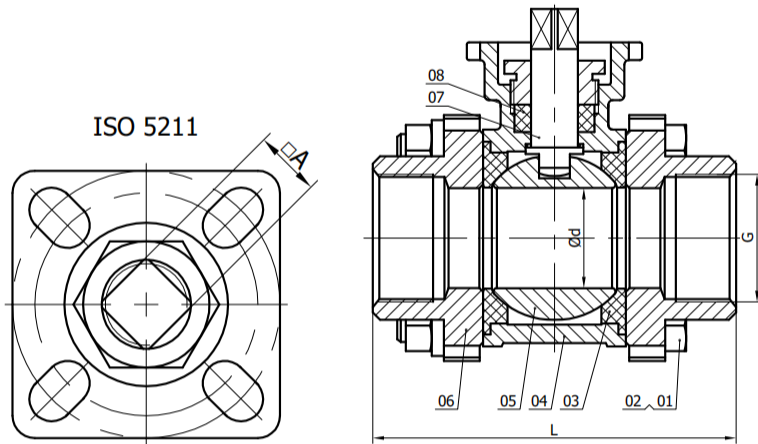
HVM	Valve Position Monitor (Limit Switchboxes)
4M310	NUMAR Solenoid Valves
HDM	Declutch Manual Override
YT Model	Pneumatic positioner / pneumatic pneumatic positioner
AFC2000	Air filter

Ball Valves

No.	PARTS	MATERIAL		
1	Cap	CF8M	CF8	WCB
2	Gasket	PTFE		R-PTFE
3	Ball Seat	PTFE		R-PTFE
4	Ball	SS316		SS304
5	Thrust Washer	PTFE		R-PTFE
6	O-Ring		VITON	
7	Stem Packing	PTFE		R-PTFE
8	Gland		SS304	
9	Spring Washer		SS304	
10	Stop Nut		SS304	
11	Stop Washer		SS304	
12	Gland		SS304	
13	Handle		SS304	SS201
14	Stem Nut		SS304	SS201
15	Body	CF8M	CF8	WCB
16	Pin		SS201	
17	Anti-Static Device	SS316		SS304
18	Stem	SS316		SS304
19	Locking Device	SS304		SS201
20	Handle Cover		PLASTIC	



Basic Ball Valve Outline Dimension(Unit:mm)



No.	Description	Material
08	Packing	PTFE
07	Stem	304/316
06	Bonnet	304/316
05	Ball	304/316
04	Body	304/316
03	Seat	PTFE
02	Nut	304/316
01	Bolt	304/316

3Piece Screwed with Pneumatic actuator

in	mm	Actuator	L mm	d mm	G mm	(A)Adaptor mm	ISO5211	Valve Weight KG
½	15	HPA052DA/HPA052SR	70	15	NPT/BSP/BSPT	9	F03/F04	0.65
¾	20	HPA052DA/HPA063SR	79	20	NPT/BSP/BSPT	9	F03/F04	0.76
1	25	HPA052DA/HPA075SR	87	25	NPT/BSP/BSPT	11	F04/F05	1.1
1¼	32	HPA063DA/HPA075SR	101	32	NPT/BSP/BSPT	11	F04/F05	1.55
1½	40	HPA075DA/HPA083SR	110	38	NPT/BSP/BSPT	14	F05/F07	2.04
2	50	HPA083DA/HPA092SR	125	49	NPT/BSP/BSPT	14	F05/F07	2.82
2½	65	HPA092DA/HPA105SR	155	65	NPT/BSP/BSPT	17	F07/F10	4.93
3	80	HPA105DA/HPA125SR	185	76	NPT/BSP/BSPT	17	F07/F10	7.7
4	100	HPA125DA/HPA140SR	220	100	NPT/BSP/BSPT	17	F07/F10	20.0

Please feel free to contact us with any questions or concerns you may have.

We are happy to serve you and assure satisfaction with your purchase.





WEB



WECHAT

We learn to speak in three years,
But it takes a lifetime to learn to “ HARKEN ”



Manufactures a wide range of Pneumatic actuators,electric actuators and accessories of
Limit switchbox, Solenoid valve, Manual override, E/P positioner for quarter Multi-turn valves...

✉ info@hearkenflow.com

📞 (086) 150 5899 3098 (Whatsapp/Wechat)

📞 (086) 577 88875391

📞 (086) 577 88875392

🌐 Website:

www.hearkenflow.com

www.hearkenvalve.com

📍 Factory Add:

No.6 Qinyuan Road, Zhuao Village, Yongjia
County, Wenzhou City, Zhejiang Province,China