

Welcome to HEARKEN

Actuators and Controls

**Hearken
Here We
Can**

The Trusted, Passionate and focused Partner in Valve Automation

At HEARKEN FLOW, The founding principle of Hearkenflow is simple: to Listen our customers needs first, to develop the innovative valve actuators solutions , to meet the unique needs of our customers, Along the way, To help our customers to solve the problems in Valve Automation. We are growing our brand in Pneumatic and Electric Actuators, Accessories..



Experienced team



Large inventory



Convenient consultation

WHY WE ARE DIFFERENT

We offer a complete valve automation solution by the applications experience and customization capabilities, with an experienced support team to guide you in selection, installation, and project support. In addition we maintain an extensive supply of product inventory on hand so that we can quickly fulfill orders and reduce wait times. Our sales and support staff are readily available and accessible so that customers get the answers they need quickly.

THE TARGET WE ARE PURSUING



High-quality



low cost



Reliable solution

- To built A strong Reputation in Providing Quality, Cost Effective , Reliable And Robust Performance Solutions for Valve Automation,
- Included Pneumatic Actuators, Electrically Actuators, Actuated Valves.



COMMITMENT TO QUALITY

At HEARKEN FLOW means performance, All products manufactured by HEARKEN FLOW are warranted against defects in material and workmanship for a period of 18 months from the day of startup. Each of our products are tested at the factory. we are confident that our products meet or exceed all applicable standards before they ever leave our facility. We are an ISO 9001-2008 certified company. Our Valve Actuators Has Applied for SIL3 Certificate, ATEX Certificate ,CE, Explosion-proof Certificate, IP68 Weather proof etc....

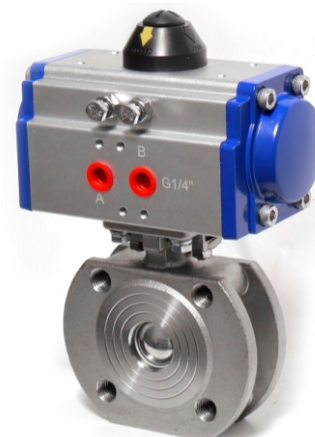
Pneumatic Operated Wafer Ball Valve

— Stainless Steel, Italian Ultra-thin Type

Description



Italian ultra-thin wafer ball valve is an ultra-short flange distance ball valve designed by introducing technology and domestically, and the ball core channel has rectangular, V-shaped and O-shaped shapes. This ultra-short ball valve product has the characteristics of compact structure, small size, light weight, easy installation, etc. The wafer ball valve can be widely used in the fields of petroleum, chemical industry, metallurgy, power station, light industry, etc., to automatically adjust or cut off the oil, water, gas and pulp or fibrous fluid.



Main Product Features



- Ball Valve Size: 1/4"~4" (DN8~DN100)
- Pressure Range: 0~1000 Psi
- Medium Temperature: -20 °C ~ + 180 °C
- Ambient Temperature: -20 °C ~ + 60 °C
- Body Material: Sus 304/316 Stainless Steel
- Sealing Material: PTFE
- Pneumatic Actuator Housing: Aluminum Alloy
- Control Pressure: 3~8bar
- Control Function: Single Action / Double Action
- Suitable Media: Air, Gas, Liquid, Water and Steam

Inch.	DN
1/4"	8
3/8"	10
1/2"	15
3/4"	20
1"	25
1 1/4"	32
1 1/2"	40
2"	50
2 1/2"	65
3"	80
4"	100

Approvals ATEX, CE, SIL

All valve and actuator packages are tested and issued with certification confirming the actuators functionality before despatch.

Performance Features



HPA Pneumatic Actuators

(SR) Single acting Spring return (DA) Double acting

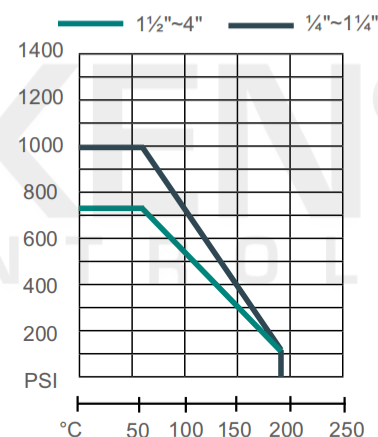
Actuator Size	DA32 ~ DA400 / SR52 ~ SR400
Air Pressure	2.5 to 8 bar (Based on 5.5 bar air supply as standard)
Ambient Temp	-15 to 80°C (Low and high temp versions also available)
Cycle Life	500,000 Operations 1,000,000 Operations available
Indicator	Multifunctional position indicator for visual inspection
Travel Stops	External adjustable ± 5% in both open & closed position
Body	Hard anodised extruded aluminum alloy
Springs	High tensile steel
Piston Seals	NBR Steel
Piston	Aluminium alloy
End Caps	Die cast aluminum epoxy coated
Pinion shaft	Alloy steel nickle plated

Actuator Accessories

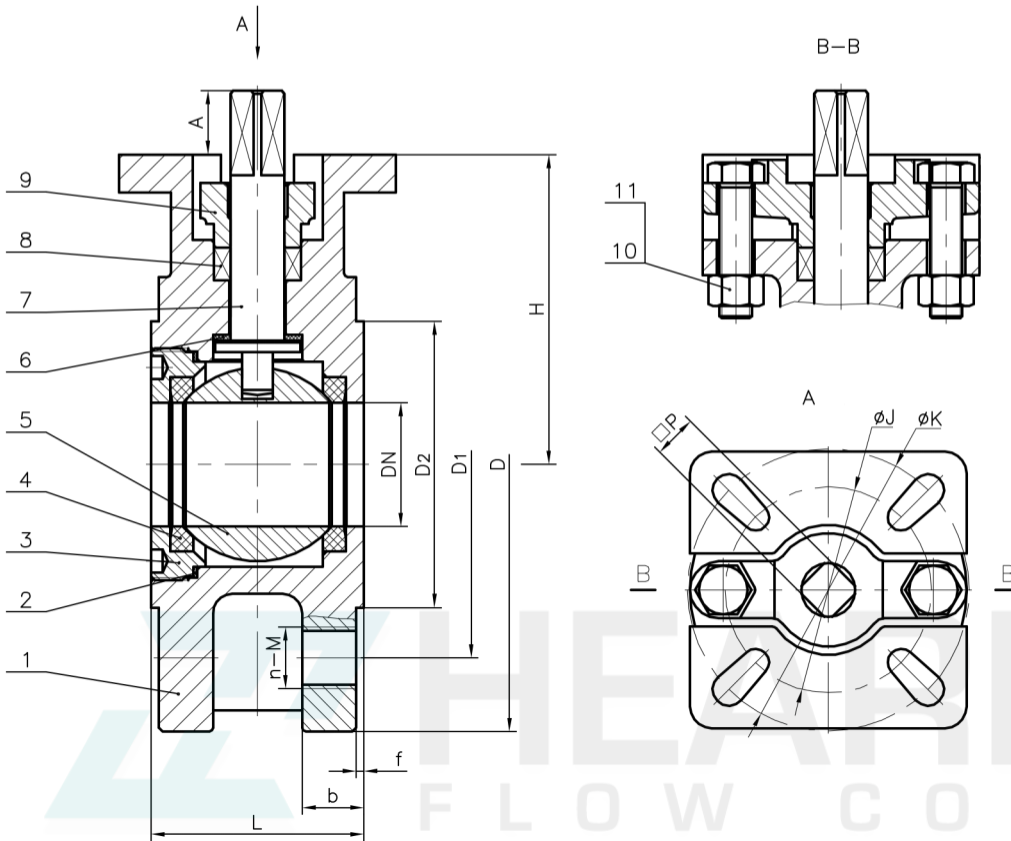
HVM	Valve Position Monitor (Limit Switchboxes)
4M310	NUMAR Solenoid Valves
HDM	Declutch Manual Override
YT Model	Pneumatic positioner / pneumatic pneumatic positioner
AFC2000	Air filter

Ball Valves

Port Thread	Wafer
Material	
Body	SS304/SS316
Bonnet	SS304/SS316
Seat	PTFE
Ball	SS304/SS316
Gasket	PTFE
Stem	SS304/SS316
Packing	PTFE
Technical Data	
Nominal size	DN15-DN100
Body Material	Stainless Steel
End Connection	Wafer
Operating Pressure	1.6 / 2.5 / 4.0 / 6.4 MPa (10 / 16 / 20 / 64 bar)
Structure	Floating ball core
Sealing material	PTFE: -20°C~180°C
Ball Material	Stainless Steel
Stem Material	Stainless Steel
Applicable media	Water, Air, Gas, Petroleum, Oil, Liquid
Design standard	GB, ASMI
Torque Output	30Nm to 1000Nm (2000Nm on request)
Drive way	Lever is optional



Basic Ball Valve Outline Dimension(Unit:mm)



No	Part Name	Material
1	Bolt	B8M-CL2
2	Nut	8M
3	End Connector	CF8
4	Body	CF8
5	Ball	304
6	Sealing Ring	PTFE
7	Gasket	PTFE
8	Stem	304
9	Stem Packing	PTFE
10	Gland	CF8
11	Bolt	B8M-CL2
12	Nut	8M

Wafer Ball Valve Dimension

in	mm	Actuator	D	D1	D2	f	b	n-M	L	φ K	φ J	□P	A	H
1/2	15	HEA003	95	65	50	2	11	4x12	35	51		9	10	60
3/4	20	HEA003	105	75	60	2.2	11	4x12	40	51		9	10	65
1	25	HEA005	115	85	70	2.2	13	4x12	43	51		11	12	69
1 1/4	32	HEA008	135	100	85	2.2	15	4x16	55	51		11	12	75
1 1/2	40	HEA010	145	110	90	2.2	16	4x16	65	70		14	15	84
2	50	HEA010	160	126	105	2.5	17	4x16	73	70		14	15	92
2 1/2	65	HEA015	180	144	125	2.5	18	4x16	95	103		17	18	108
3	80	HEA040	195	160	137	2.5	22	8x16	118	103		17	18	119
4	100	HEA060	215	180	170	2.5	22	8x16	140	103		19	20	130

Please feel free to contact us with any questions or concerns you may have.

We are happy to serve you and assure satisfaction with your purchase.





WEB



WECHAT

We learn to speak in three years,
But it takes a lifetime to learn to “ HARKEN ”



Manufactures a wide range of Pneumatic actuators,electric actuators and accessories of
Limit switchbox, Solenoid valve, Manual override, E/P positioner for quarter Multi-turn valves...

✉ info@hearkenflow.com

📱 (086) 150 5899 3098 (Whatsapp/Wechat)

☎ (086) 577 88875391

📞 (086) 577 88875392

🌐 Website:

www.hearkenflow.com

www.hearkenvalve.com

📍 Factory Add:

No.6 Qinyuan Road, Zhuao Village, Yongjia
County, Wenzhou City, Zhejiang Province,China